

BELT WASH®

BELT WASHING STATION

Thejo's **BELT WASH** is a conveyor belt spray washing station, installed as a secondary cleaner along the conveyor's return run. The BELT WASH provides the ultimate belt cleaning experience.

Each Belt Washing Station can be custom engineered to match your cleaning requirements. This spray wash system will be supplied in a watertight metal enclosure fitted with water service and a drain.

The box shall be fitted with a water spray bar with nozzles positioned to wet the entire belt width and flush out the box through the installed drain. The water softens the carry back and provides lubricity to allow the maintenance of effective cleaning pressure. The system shall be fitted with multiple secondary cleaners to provide complete removal of fines and water from the belt surface.



SALIENT FEATURES

- Multiple Thejo CONDOR Secondary Cleaners.
- Belt Wiper to wipe off excess water from the belt.
- SS Spray Bars with very low water consumption for cleaning the belt.
- SS 304 Flat Jet nozzles ensures maximum cleaning efficiency and longer service life.
- Special non-stick lining on the bottom panel to avoid build-up of carry back material.
- Stainless Steel enclosures available on demand.

It is recommended to install a primary scraper and secondary scraper before the belt wash system

SPECIFICATION

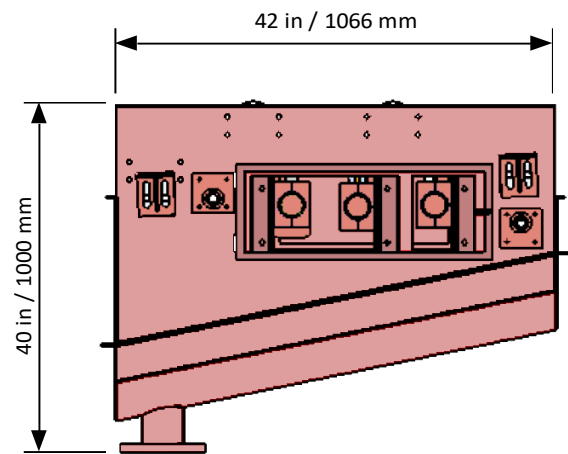
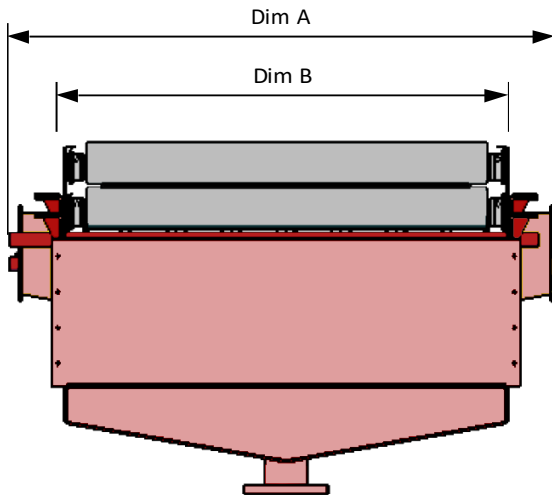
Belt Width in. (mm)	Water Consumption Gallon/Min (Lpm)		
	15 PSI (1 Bar)	30 PSI (2 Bar)	70 PSI (5 Bar)
24 (500-650)	0.9 (3.5)	1.3 (5)	2.1 (7.9)
30 (650-800)	1.2 (4.4)	1.7 (6.3)	2.6 (9.9)
36 (800-1000)	1.4 (5.3)	2.0 (7.5)	3.1 (11.9)
42 (1000-1200)	1.8 (7.0)	2.6 (10.0)	4.2 (15.8)
48 (1200-1400)	2.1 (7.9)	3.0 (11.3)	4.7 (17.8)
54 (1400-1600)	2.3 (8.8)	3.3 (12.5)	5.2 (19.8)
60 (1600-1800)	2.8 (10.6)	4.0 (15.0)	6.3 (23.8)
72 (1800-2000)	3.0 (11.4)	4.3 (16.3)	6.8 (25.7)
84 (2000-2200)	3.2 (12.3)	4.6 (17.5)	7.3 (27.7)

*Note: Recommended water pressure is 30 PSI (2 Bar)
Above data is approximate and for reference only*

DIMENSIONS

Belt Width in. (mm)	Assembly P/N*	Number of Nozzles	Cleaning Width in. (mm)	DIM A in. (mm)	DIM B in. (mm)
24 (500-650)	TBW-0650-XX	8	24 (600)	49 (1250)	35 (900)
30 (650-800)	TBW-0800-XX	10	30 (750)	55 (1400)	41 (1050)
36 (800-1000)	TBW-1000-XX	12	35 (900)	63 (1600)	49 (1250)
42 (1000-1200)	TBW-1200-XX	16	48 (1200)	71 (1800)	57 (1450)
48 (1200-1400)	TBW-1400-XX	18	54 (1350)	79 (2000)	65 (1650)
54 (1400-1600)	TBW-1600-XX	20	60 (1500)	87 (2200)	73 (1850)
60 (1600-1800)	TBW-1800-XX	24	72 (1800)	94 (2400)	81 (2050)
72 (1800-2000)	TBW-2000-XX	26	78 (1950)	102 (2600)	89 (2250)
84 (2000-2200)	TBW-2200-XX	28	84 (2100)	110 (2800)	96 (2450)

* Replace XX with ST for Carbon Steel plates enclosure & SS for Stainless plate enclosure.



Above dimensions are indicative and may be used only for reference. Dimensions may change to suit site requirements. Contact Thejo Engineering representative if in doubt.

Thejo provides a range of accessories for easy installation and maintenance of belt Wash. They include pressure rollers, customized mounting brackets, inspection doors, water filters, control valves, drain hose etc. Standard spares include cleaner blades, wiper blade, spray bar and nozzles.

Pressure Roller	TBW-SP-PR-XXXX
Spare Blade for Cleaner	TCS-PD-SP-X-XX
Spare Blade for Wiper	TBW-SP-WP-XXXX
Spray Bar (Pair)	TBW-SP-SB-XXXX
Nozzles-0.5 LPM	TBW-SP-FJN-50
Nozzles-0.75 LPM	TBW-SP-FJN-75

* For more information please contact your nearest Thejo Engineering representative.



The Assurance of More...

GLOBAL NETWORK
 • Australia • Brazil • Chile
 • India • Saudi Arabia