

## ROTARY BRUSH CLEANER

SWIRL Rotary Brush Cleaner is an ideal cleaning solution for Chevron, cleated and ribbed belts. These are usually installed in secondary position on the return run of the belt, where the belt leaves the discharge pulley.

A number of nylon bristled segments are mounted on the cleaner shaft to form the cleaning tip. The brush cleaner is designed such that material falls off the brush rather than settle into the bottom of the bristles. Design allows fast replacement of individual hubs.

It is recommended to install a primary cleaners before the brush cleaner.



### SALIENT FEATURES

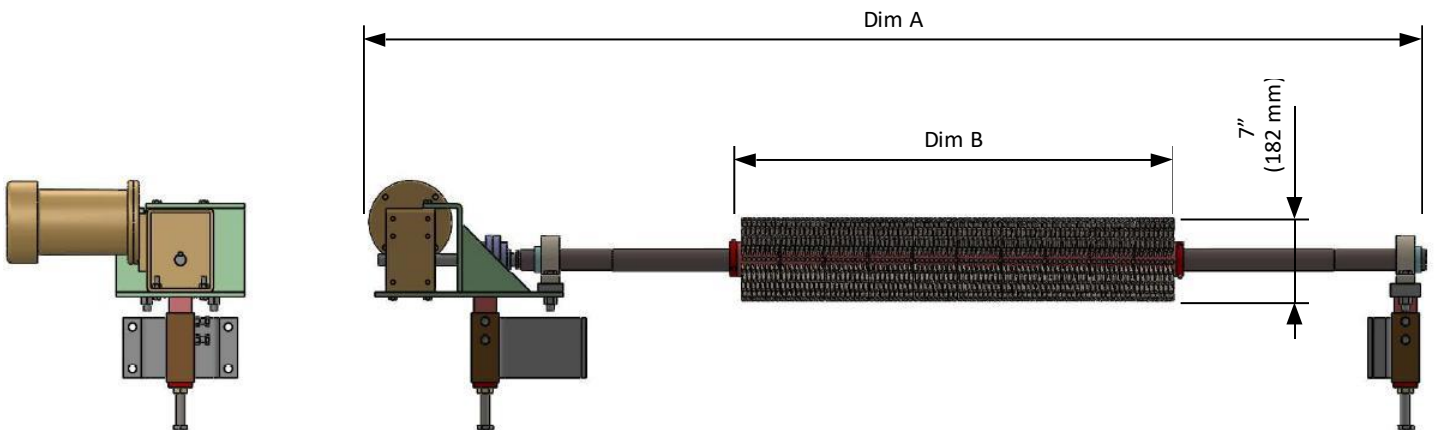
- Effectively removes carry back fines with the help of rotary action against the belt direction.
- The light weight and efficient aluminium body motor ensures maximum cleaning with minimum power consumption.
- Rugged construction of cleaner frame and mounting ensure long life even in worst condition.
- Self destructing resilient coupling ensures long service life for the motor, even in worst conditions.
- Suitable for belts with cleats, chevrons and belts carrying sticky fines.

### SPECIFICATION

<b>Blade Type</b>	Nylon Brushes
<b>Maximum Service Temp. F (C)</b>	194 (90)
<b>Segment width in. (mm)</b>	3.75 (95)
<b>Bristle Height in. (mm)</b>	2 (50)
<b>Brush Speed (RPM)</b>	200
<b>Electric Motor</b>	440 V, 3 Phase, 50 Hz
<b>Motor Rating</b>	Belts 19 – 32 in. (500 – 800 mm) : 1 HP Belts 39 – 56 in. (1000-1400mm) : 1.5 HP Belts 62(1600-2400mm) : 2 HP

## DIMENSIONS

Belt Width in Inches (mm)	Assembly P/N*	Dim A in. (mm)	Dim B in. (mm)	No. of Segments	Unit Weight lbs (Kg)
18 (400-500)	TSC-0500	55 (1400)	18 (475)	5	210 (95)
24 (500-650)	TSC-0650	61 (1550)	22 (570)	6	232 (105)
30 (650-800)	TSC-0800	67 (1700)	30 (760)	8	254 (115)
36 (800-1000)	TSC-1000	75 (1900)	36 (950)	10	280 (127)
42 (1000-1200)	TSC-1200	83 (2100)	46 (1140)	12	307 (139)
48 (1200-1400)	TSC-1400	91 (2300)	52 (1330)	14	333 (151)
54 (1400-1600)	TSC-1600	98 (2500)	60 (1520)	16	362 (164)
60 (1600-1800)	TSC-1800	106 (2700)	66 (1710)	18	391 (177)
72 (1800-2000)	TSC-2000	114 (2900)	74 (1900)	20	422 (191)



## ACCESSORIES & SPARES

Thejo provides a range of accessories for easy installation and maintenance of belt cleaners. They include mounting brackets, inspection doors, Plummer block and Geared motor etc.. Custom made brackets and fittings are also available for specific applications. PLC Control panel is also available for automatic operation.

<b>Bristle Segment-Centre</b>	TSC-SP-BSC-95
<b>Bristle Segment-End</b>	TSC-SP-BSE-95
<b>Mounting Brackets</b>	TSC-SP-MB
<b>Plummer Block</b>	TSC-SP-PB
<b>Geared Motor</b>	TSC-SP- GM
<b>Control Panel</b>	TSC-SP-CP

\* For more information please contact your nearest Thejo representative.