

HERCULES®

IMPACT CUSHION CRADLES

HERCULES IMPACT CRADLES are installed under the material receiving area of the conveyor to absorb the impact force of material and prevent damage to the conveyor belt and structure. It also helps in stabilizing the loading zone and prevent spillage of material.

Hercules Impact Pad is a combination of the salient features of like high wear & abrasion resistance and very low coefficient of friction of UHMWPE and impact absorption and cushioning properties of Rubber. Impact Bars are reinforced with Aluminium channel for standard pads and steel plate for heavy duty pads.

Each module of Impact Cradle consist of a pre-determined number of impact pads mounted onto steel cradles using T-bolts. The modular sections of the impact pads are suitably designed and fabricated to with stand heavy loads and to facilitate easy installation.

- Impact Cradles made are designed to withstand punishing conditions. Choice of Heavy, Medium and Light duty cradles to suit varying operating conditions.
- T-Bolt fastener system allows quick installation and replacement of Impact Bars.
- Retractable cradle design available on demand. These makes installation and maintenance of the cradles a one-man-job.
- Adjustable wings allow fine adjustments to match the conveyor trough angle.
- Impact pads are available in standard lengths of 1000mm, 1200mm and 1500mm. Other lengths can be supplied on demand



DUTY SELECTION

Duty Rating	Selection Code	Impact Force (N)	Impact Force (lb)
Light Duty	L	<35000	<7900
Medium Duty	M	35000 - 50000	7900 - 11250
Heavy Duty	H	50000 - 75000	11250 - 16900
Extra Heavy Duty	X	75000 - 100000	16900 - 22480

Table 1

SPECIFICATION

Item	Max Height in. (mm)	UHMWPE Hardness	UHMWPE Thickness in. (mm)	Rubber Hardness	Rubber Thickness in. (mm)
Impact Pad SD	2.75 (70)	63 +/- Shore D	0.4 (10)	65 +/- Shore A	2.4 (60)
Impact Pad HD	3 (75)	63 +/- Shore D	0.444 (10)	65 +/- Shore A	2.6 (65)

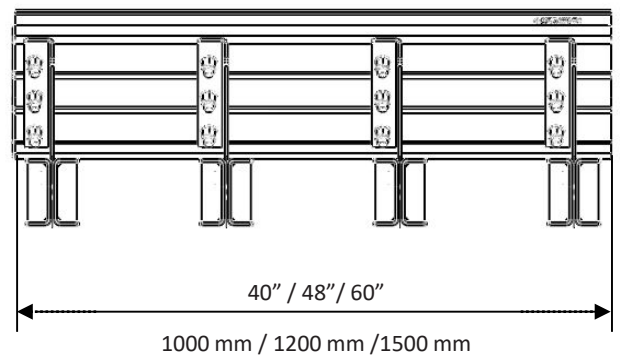
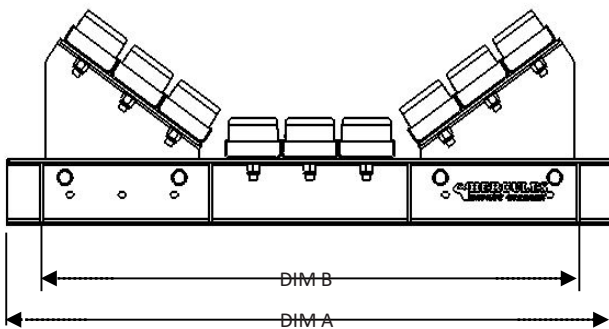
Table 2

DIMENSIONS

Belt Width- in. (mm)	Assembly P/N*	No of Pads	Frame Length DIM C - in. (mm)	Fixing Length DIM B - in. (mm)
18 (400-500)	THP-0500-X-XX	6	32 (820)	30 (750)
24 (500-650)	THP-0650-X-XX	6	36 (920)	34 (850)
30 (650-800)	THP-0800-X-XX	9	44 (1110)	42 (1040)
36 (800-1000)	THP-1000-X-XX	10	54 (1370)	52 (1300)
42 (1000-1200)	THP-1200-X-XX	12	60 (1545)	58 (1475)
48 (1200-1400)	THP-1400-X-XX	13	70 (1770)	68 (1700)
54 (1400-1600)	THP-1600-X-XX	15	78 (1970)	76 (1900)
60 (1600-1800)	THP-1800-X-XX	16	86 (2170)	84 (2100)
72 (1800-2000)	THP-2000-X-XX	19	94 (2370)	92 (2300)

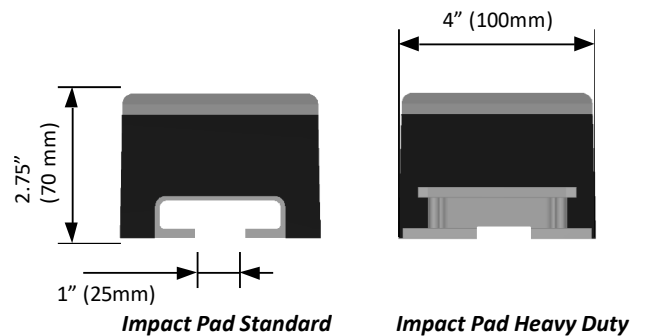
Table 3

* Replace X with Duty rating code of the Impact Cradle. (Refer Table 1)
 Replace XX with Pad Length code (Refer Table 3)



ACCESSORIES & SPARES

Item	Length -in. (mm)	Selection Code	Part No
Impact Pad	40 (1000)	10	THP-SP-IP-10
Impact Pad	48 (1200)	12	THP-SP-IP-12
Impact Pad	60 (1500)	15	THP-SP-IP-15
T Bolt	M16 x 50, T-Head 50mm x 55mm		TEL-FST-T1650



THEJO offers a complete package including design, supply, consultancy, technical support, service back-up and maintenance to assure that our clients will obtain the best benefits at the lowest cost for any trouble shooting and improvement needed in the plant.

* For more information please contact your nearest Thejo representative.